

FIGURE 1

C	1	FIGURE 3	B	23	● 229809	1	43	241223	1	63	241416	38-40 cc.	1	
	2	247936	B	24	● 229743	1	44	235218	1	64	236322		1	
	3	● 235900	C	25	● 235675	1	C	45	241283	1	65	241241	1	
	4	● 235899	A	26	240452	1	B	46	● 227194	1	66	240688	M5x14	2
C	5	● 228872	B	27	236563	1	A	47	● 227703	1	67	236956		2
	6	247935	A	28	● 236564	1	48	● 240884	1	68	94273	46 cc.	1	
	7	● 235899	B	29	241213	1	49	● 227467	1					
	8	● 235900	30	235807	M5x45	2	B	50	● 227300	1				
C	9	● 228872	31	241212		1	B	51	● 240492	1				
	10	235806	32	227924		2	B	52	● 227470	1				
	11	228139	33	241211		1	53	● 240485	1					
	12	241279	C	34	FIGURE 5		54	241248	4					
B	13	247937	A	35	241281	1	55	236527	M6x16	4				
	14	● 241269	36	235803	M5x25	2	C	56	241280	38-40 cc.	1			
C	15	● 241270	37	235248		4		241414	46 cc.	1				
	16	235218	C	38	241481	1	C	57	241432		1			
	17	241240	C	39	241428	1	58	● 227236		1				
	18	235806	40	241266	38-40 cc.	1	59	● 227274	M5X60	2				
C	19	241298		241267	46 cc.	1	60	227565	M5X25	4				
	20	235807	C	41	● 235742	38-40 cc.	A	61	92879		1			
	21	235804	C	42	227329	46 cc.	62	241187	38-40 cc.	1				
C	22	241282				1		241430	46 cc.	1				

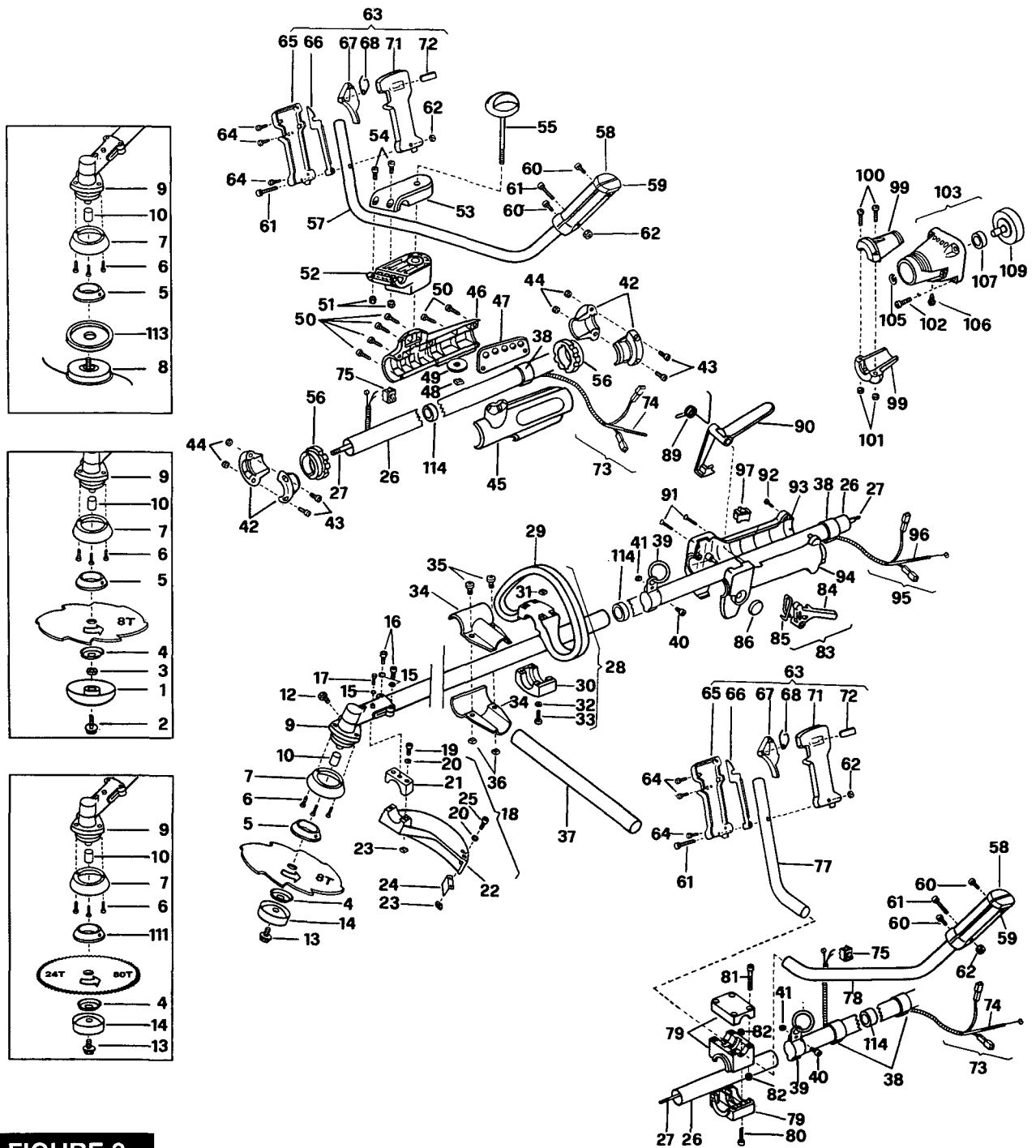


FIGURE 2

A 1	240809B	1	24	224497-01	1	46	240941	1	68	240091	1	C 95	241440	1
A 2	240806	1	25	235802 M5x14	2	47	240966	1	71	241294	1	C 96	241441	1
A 3	240807	1	26	240830	1	48	241003	1	72	241292	1	C 97	236394	1
A 4	229834	1	27	229829	1	49	241004	1	C 73	241410	1	99	240935	2
A 5	229833	1	28	236999	1	50	241002	6	C 74	241424	1	100	235530 M5x35	2
6	240688 M5x14	3	29	236808	1	51	235216	2	C 75	236394	1	101	235216	2
B 7	240767	1	30	236809	1	52	240967	1	77	229831	1	102	236527 M6x16	4
A 8	FIGURE 4		31	236642	4	53	240968	1	78	229832	1	103	240905 38 cc.	1
9	240824	1	32	236936	4	54	227563 M5x16	2	79	240017	1		241417 40-46 cc.	1
10	247272	1	33	228320 M6x45	4	55	240971	1	80	235921 M6x30	2	C105	236378	1
12	240151 M8x10	1	34	240682	2	56	240970	2	81	236558 M6x40	4	106	236381 40-46 cc.	1
A 13	229842 M10x16	1	35	235911 M6x12	2	57	241010	1	82	235912	6	C107	235918 40-46 cc.	1
A 14	236596	1	36	236642	2	58	229985	1	83	241439	1	C109	227284	1
15	236529	3	37	246864	1	59	229984	1	84	240042	1	A111	240936	1
16	235804 M5x30	2	38	229849	2	60	240833	2	85	235932	1	113	241155	1
17	236381 M5x10	1	39	236602	1	61	235804 M5x30	2	86	241297	1	114	236383	5
B 18	247209	1	40	235911 M6x12	1	62	235216	2	89	240043	1			
19	235806 M5x20	2	41	236642	1	63	241406	1	90	240041	1			
20	235248	4	42	240969	4	64	240833	5	91	240617	2			
21	240870	1	43	227563 M5x16	4	65	241293	1	92	240618	4			
B 22	240932	1	44	235216	4	66	229820	1	93	240039	1			
23	236732	4	45	240942	1	67	241295	1	94	240040	1			

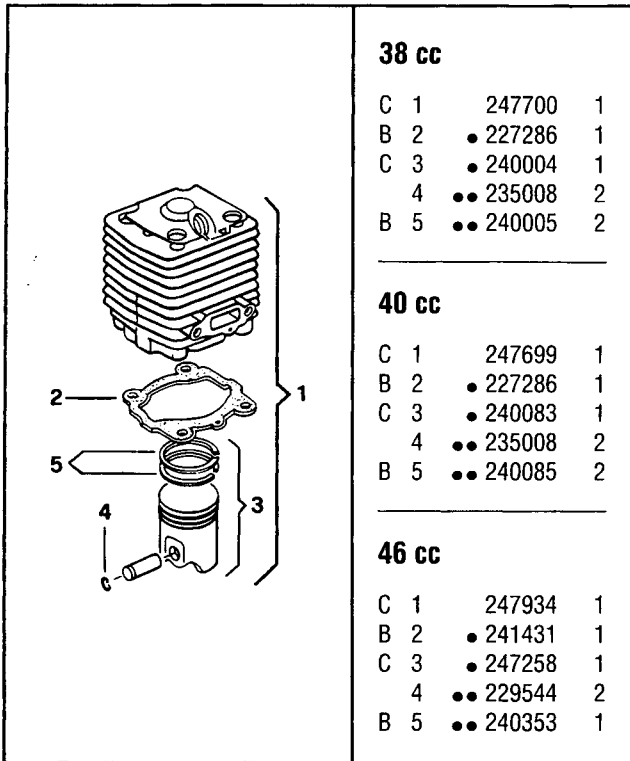


FIGURE 3

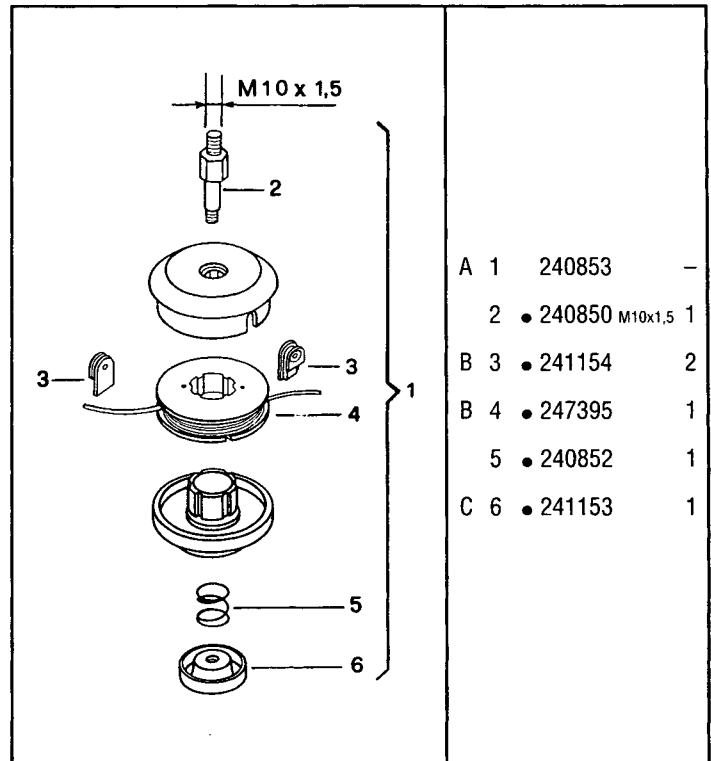
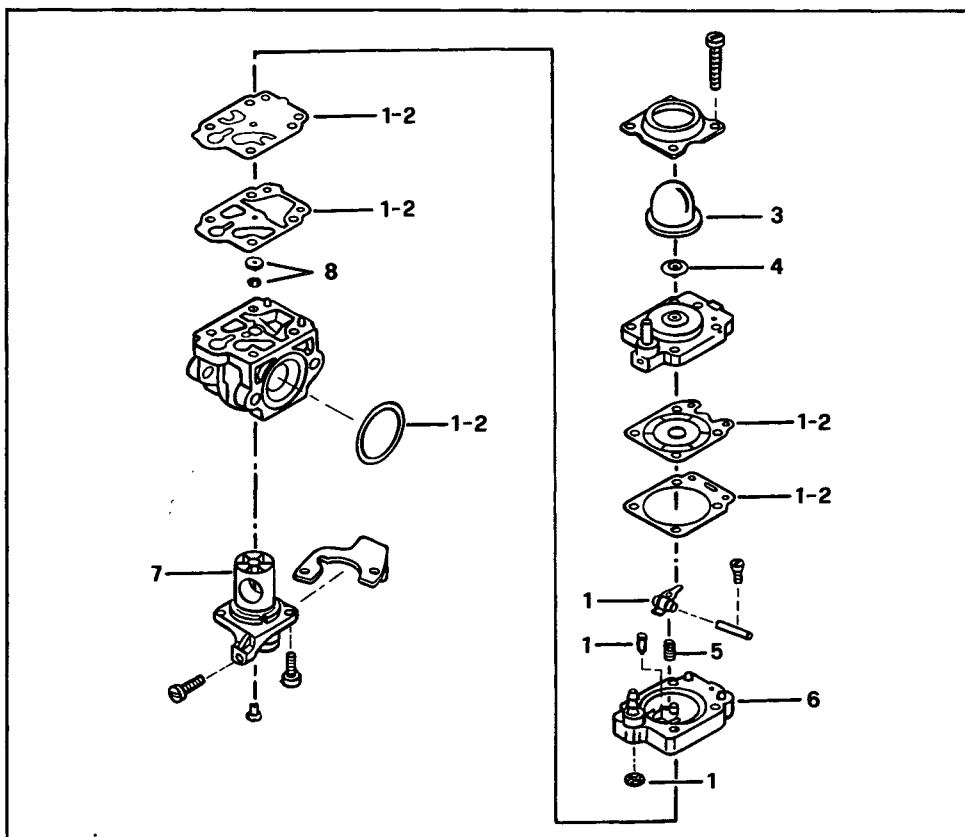


FIGURE 4



WALBRO WYJ 183A (38-40 cc)

WALBRO WYJ 208 (46 cc)

C -	241268	carbur.
B 1	● 247955	1
A 2	●● 247956	1
C 3	● 225834	1
C 4	● 247957	1
C 5	● 247958	1
C 6	● 247962	1
C 7	● 247961	1
C 8	● 247959	(43) 1

C -	241476	carbur.
B 1	● 247955	1
A 2	●● 247956	1
C 3	● 225834	1
C 4	● 247957	1
C 5	● 247958	1
C 6	● 247962	1
C 7	● 247961	1
C 8	● 247960	(46) 1

FIGURE 5

A = high moving - alta rotazione - haute demande - große Nachfrage
 B = medium moving - media rotazione - moyenne demande - mittelmäßige Nachfrage
 C = slow moving - bassa rotazione - basse demande - wenige Nachfrage